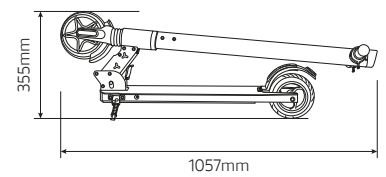
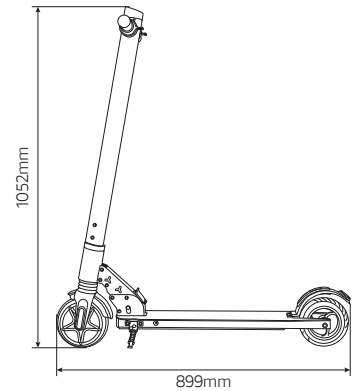




AIR
electric scooter



Independent front suspension



Integrated display



Solid tires: front 6", rear 5.5"


Technical specifications


Product Sku: MN-DUC-AIRR
Ean Code: 8052870481115

Basic info	
Frame material	metal and aluminum
Shock	front
Speed	ECO: <= 6km/h D:<= 15km/h S: <= 20km/h (max speed)
Pendenza massima	10%
Brakes	electric brake
Power engine	250W
Tyre	Solid tires: front 6", rear 5.5"
Low voltage protection	19V +/- 0.5V
Current limit	17A
Engine type	brushless
Max load	80kg
Safety information	from 14 years of age, 140/180cm height max, recommended use with helmet and protection.
Working Temperature	-10°C / 50°C
Level of protection	IP54
Charging time	about 5/6 hours
Autonomy	up to 15km (subject to be variable by rider weight, road condition, temperature etc.)

Electric system	
Engine	250W brushless
Brake	electric brake
Display	LCD Integrated display
Battery	24V, 5.8Ah, 14Wh Lito
Lights	LED front and rear lights
Charger	1.0Ah with wall socket

Dimensions and Weights	
Net weight	10kg
Gross weight	13kg
Unit size	899 x 1052 x 450mm
Folding size	1057 x 355 x 450mm
Carton size	1080 x 355 x 200mm

 Product Sku: **MN-DUC-AIRR**
Ean Code: **8052870481115**

 Product Sku: **MN-DUC-AIRB**
Ean Code: **8052870481467**