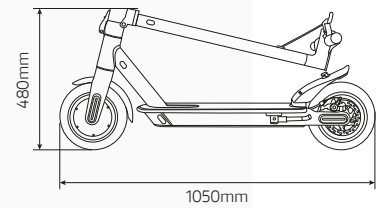
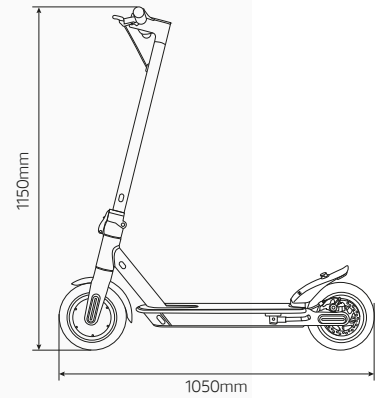




Urban
e-Mobility

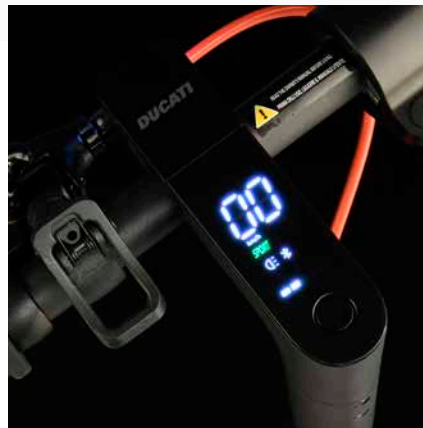
PRO-I^{EVO}
electric scooter



Download the app Ducati Urban e-Mobility for a better use of the product



8.5" Wheels



Integrated display



Rear disc brake

Technical specifications

Product Sku: DU-MO-210001
Ean Code: 8052870486370

Basic info	
Frame material	Aluminum alloy
Speed	ECO: <= 6km/h D:<= 20km/h S: <= 25km/h (max speed)
Maximum gradient	15%
Brakes	dual brake: front e-brake and rear disc brake
Power engine	350W
Tyre	8.5" front and rear inflatable tire
Low voltage protection	31V +/- 0.5V
Current limit	15A
Engine type	brushless
Max load	100kg
Safety information	14+ yo with the use of helmet and protection gears*. Consult the laws and regulations currently in force in your country.
Working Temperature	-10°C / 50°C
Level of protection	IP54
Charging time	about 3/5 hours
Autonomy	up to 25km (subject to be variable by rider weight, road condition, temperature etc.)

Electric system	
Engine	350W Brushless
Brake	front electric brake
Display	LED color display
Battery	36V, 7.8Ah, 280Wh
Lights	LED front and rear lights
Charger	EU Standard DC 2.1 Charger, 42V 1.5A
Bluetooth	connection through user App

Dimensions and Weights	
Net weight	12Kg
Gross weight	14.5Kg
Unit size	1050 x 440 x 1150mm
Folding size	1050 x 440 x 480mm
Carton size	1120 x 160 x 520mm

*In Italy this subject is currently disciplined by the law L 27/12/2019 N.160