

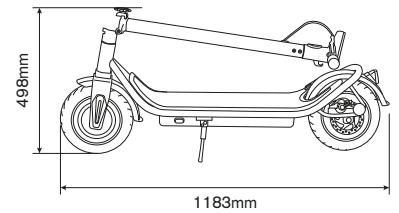
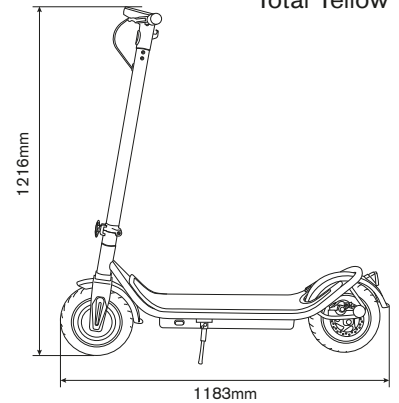
# SCRAMBLER DUCATI

# CITY CROSS-E X

electric scooter

## Off-road edition

Total Yellow



Download the app Ducati Urban e-Mobility for a better use of the product



Off-road 10" tubeless wheels



LED integrated display



Rear disc brake

## Technical specifications

Product Sku: **DU-MO-210003**

Ean Code: **8052870486981**

Basic info	
<b>Frame material</b>	aluminium alloy
<b>Speed</b>	ECO: <= 6km/h   D:<= 15km/h   S:<= 25km/h (max speed)*
<b>Maximum gradient</b>	15%
<b>Brakes</b>	double brake: electric front, rear disc
<b>Power engine</b>	350W
<b>Tyre</b>	10" Off-road, tubeless front and rear
<b>Low voltage protection</b>	31V +/- 0.5V
<b>Current limit</b>	18A
<b>Engine type</b>	brushless
<b>Max load</b>	120kg
<b>Safety information</b>	14+ yo with the use of helmet and protection gears**. Consult the laws and regulations currently in force in your country.
<b>Working Temperature</b>	-10°C / 50°C
<b>Level of protection</b>	IP54
<b>Charging time</b>	about 4/5 hours
<b>Autonomy</b>	up to 45km (subject to be variable by rider weight, road condition, temperature etc.)

Electric system	
<b>Engine</b>	350W brushless
<b>Brake</b>	front electric brake
<b>Display</b>	LED display integrated
<b>Battery</b>	36V, 12.5Ah, 450Wh
<b>Lights</b>	LED front and rear lights
<b>Charger</b>	EU Standard DC2.1 Charger, 42V 1.5A
<b>Bluetooth</b>	Connection through user app

Dimensions and Weights	
<b>Net weight</b>	19kg
<b>Gross weight</b>	23kg
<b>Unit size</b>	1183 x 460 x 1216mm
<b>Folding size</b>	1183 x 460 x 498mm
<b>Carton size</b>	1185 x 215 x 525mm

\*In Switzerland, under the current legislation the allowed speed levels are 6-15-20km/h. \*\*In Italy this subject is currently disciplined by the law L 27/12/2019 N.160