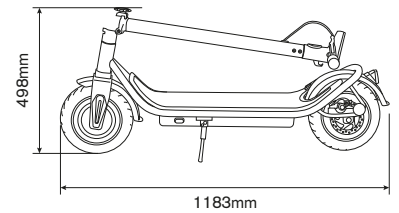
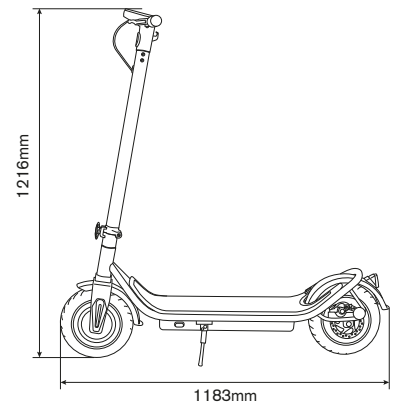


Off-road edition - Total Yellow



Download the app Ducati Urban e-Mobility for a better use of the product



10" off-road tubeless tyres



Integrated LED display



Rear disc brake

Technical specifications

Product Sku: **DU-MO-210003**
Ean Code: **8052870486981**

Basic info	
Frame material	steel
Speed	ECO: <= 6km/h D:<= 15km/h S:<= 25km/h (max speed)*
Maximum gradient	19%
Brakes	double brake: front electronic and rear disc brakes, KERS
Motor Power	350W
Tyres	10" off-road tubeless
Low voltage protection	31V +/- 0.5V
Current limit	18A
Motor type	brushless
Max load	120kg
Riding Requirements	Consult the laws and regulations currently in force in your country.**
Working Temperature	-10°C / 50°C
Level of protection	IP54
Charging time	around 5 hours
Autonomy	up to 45km (subject to be variable by rider weight, road condition, temperature etc.)

Electric system	
Motor	350W brushless, Peak Power 450W
Brakes	front electronic brake
Display	LED display integrated
Battery	36V, 12.5Ah, 450Wh
Lights	LED front and rear lights
Charger	EU Standard DC2.1 Charger, 42V 1.5A
Bluetooth	Connection through user app

Dimensions and Weights	
Net weight	19kg
Gross weight	23kg
Unit size	1183 x 460 x 1216mm
Folding size	1183 x 460 x 498mm
Carton size	1185 x 215 x 525mm