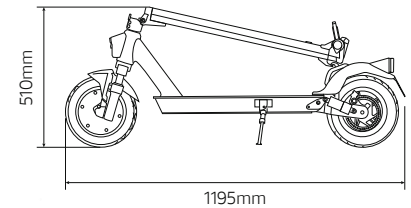
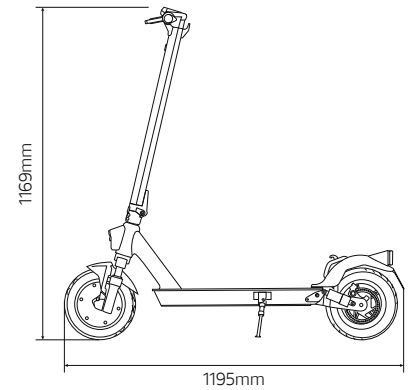




Urban
e-Mobility

PRO-11 EVO
electric scooter



Download the Ducati Urban e-Mobility app for a better use of the product



10" tubeless wheels



Wide 3.5" LED display



Front and rear suspensions

Technical specifications

Product Sku: DU-MO-210009
Ean Code: 8052679452989

Basic info	
Frame material	magnesium alloy
Suspensions	front and rear
Speed	L1: 6km/h L2: 15km/h L3: 20km/h L4: 25km/h (max speed)*
Maximum gradient	20%
Brakes	dual brake: front e-brake and rear disc brake, KERS
Motor	350W, Peak Power 515W
Tyres	10" tubeless front and rear
Low voltage protection	30.5V - 32V
Current limit	18A
Motor type	brushless
Max load	100kg
Riding requirements	Consult the laws and regulations currently in force in your country**.
Working Temperature	0°C / 45°C
Level of protection	IPX4
Charging time	about 7 hours
Range	up to 40km (subject to be variable by rider weight, road condition, temperature etc.)

Electric system	
Motor	350W Brushless, Peak Power 515W
Brake	front electronic brake
Display	3.5" LED display
Battery	36V, 10.4Ah, 374Wh
Lights	front and rear LED lights
Charger	EU Standard DC 2.1 42V 1.5A
Bluetooth	Connection through user app

Dimensions and Weights	
Net weight	16.7kg
Gross weight	19.5kg
Unit size	1195 x 480 x 1169mm
Folding size	1195 x 480 x 510mm
Carton size	1195 x 190 x 510mm

*In Switzerland, under the current legislation the allowed speed levels are 6-15-20km/h. **In Italy this subject is currently disciplined by the law L 27/12/2019 N.160

Ducati Motor Holding S.p.A. Official Licensed Product.